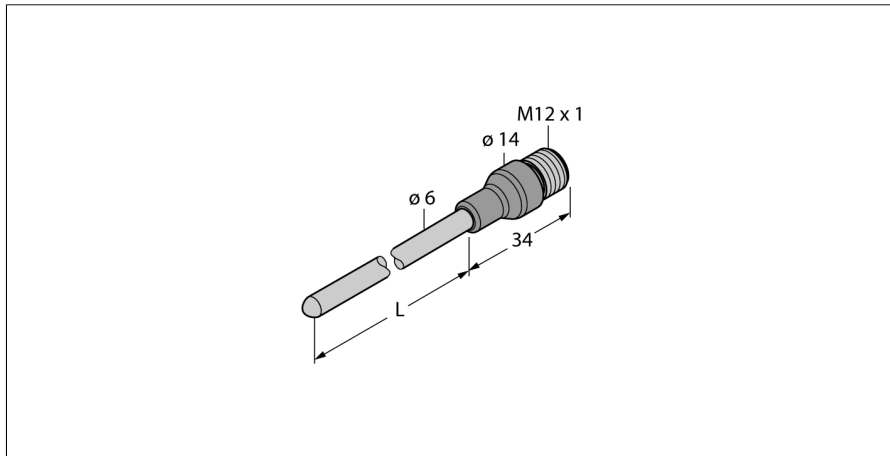
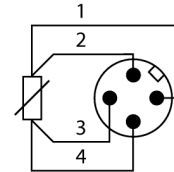


**Temperature measurement**  
**Probe**  
**TP-206B-CF-H1141-L800/D805**



- Pt-100 probe acc. to DIN EN 60751
- Vibration and shock-resistant
- Connectable to TS, TTM, IM34, BL20, BL67
- 4-wire connection technology

**Wiring Diagram**



**General description**

Resistance thermometers are used for the detection and monitoring of temperatures to optimize and control a process.

Typical applications are in machine and plant construction as well as in the process industry.

The core element of the temperature sensor is a temperature-dependent resistor.

<b>Type code</b>	TP-206B-CF-H1141-L800/D805
Ident-No.	9910563
<b>Temperature range</b>	-200...500 °C
Temperature operating range	-328...932°F
Measuring element	Pt-100 probe, DIN EN 60751, class B
Accuracy	0.3 °C + 0.005 ·  t  (-50 ... 500 °C)
Response time	t 0.5 = 6 s / t 0.9 = 15 s in water at 0.2 m/s
Immersion depth (L)	800 mm
<b>Protection type and class</b>	IP67
MTTF	2283 years acc. to SN 29500 (Ed. 99) 40 °C
<b>Ambient conditions</b>	
Ambient temperature	-40...+120 °C
Storage temperature	-40...+85°C
Pressure resistance	100 bar
<b>Housing</b>	
Sensor material	stainless steel, AISI 316L
Process connection	for compression fittings, thermowells or direct mounting
Connection	flange connector, M12, 4-pole
Pressure resistance	100 bar
<b>Reference conditions acc. to IEC 61298-1</b>	
Temperature	15...25 °C
Atmospheric pressure	860...1060 hPa abs.
Humidity	45...75 % rel.
Auxiliary power	24 VDC
<b>MTTF</b>	2283 years acc. to SN 29500 (Ed. 99) 40 °C

Temperature measurement  
 Probe  
 TP-206B-CF-H1141-L800/D805



Accessories

Type code	Ident-No.	Description	Design
CF-M-6-G1/4-A4	9910483	Compression ferrule fittings for direct mounting of temperature probes	
CF-M-6-N1/4-A4	9910484	Compression ferrule fittings for direct mounting of temperature probes	
CF-M-6-M18-A4	9910525	Compression ferrule fittings for direct mounting of temperature probes	
CF-M-6-N1/2-A4	9910529	Compression ferrule fittings for direct mounting of temperature probes	
CF-M-6-G1/2-A4	9910530	Compression ferrule fittings for direct mounting of temperature probes	